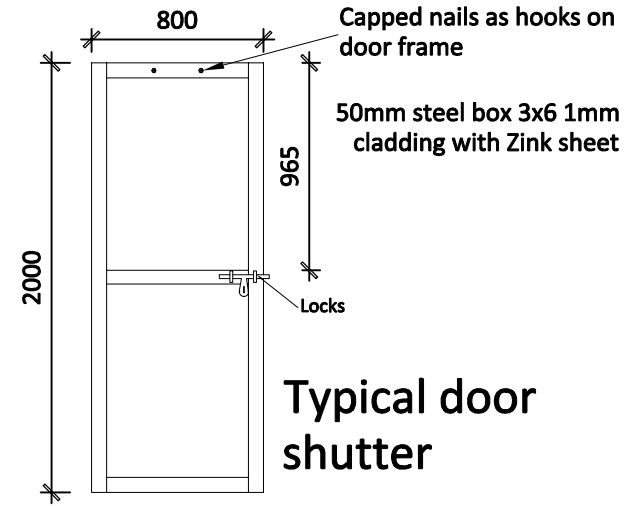
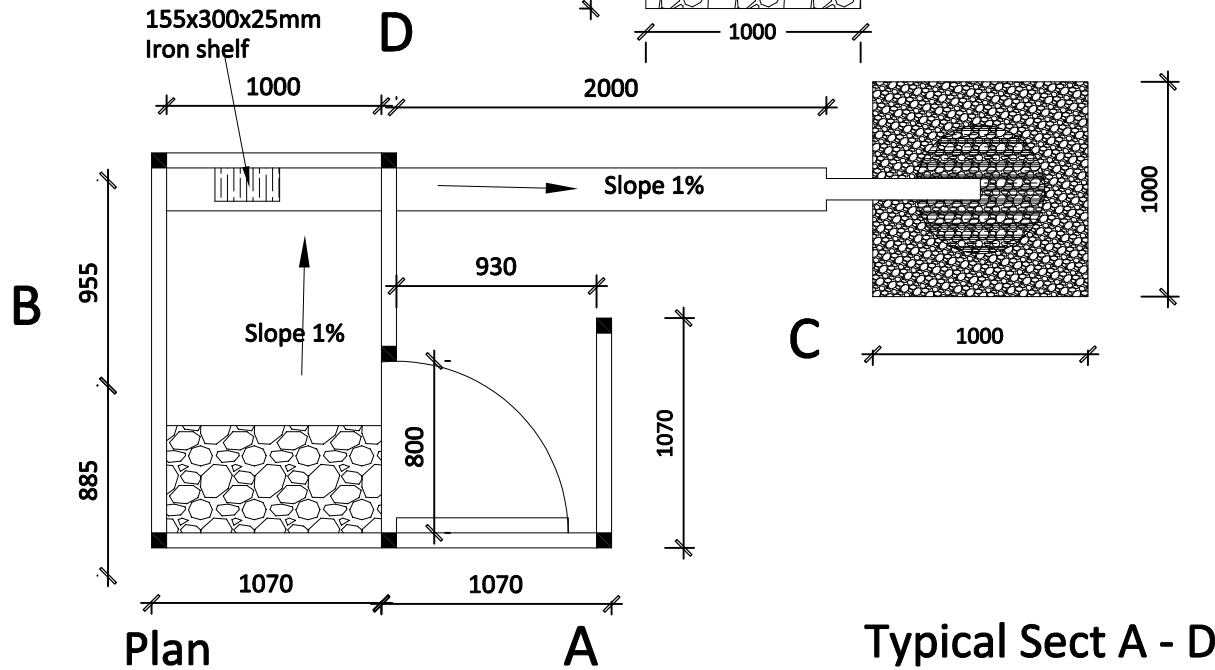


**Channel detail  
(Inside shelter)**

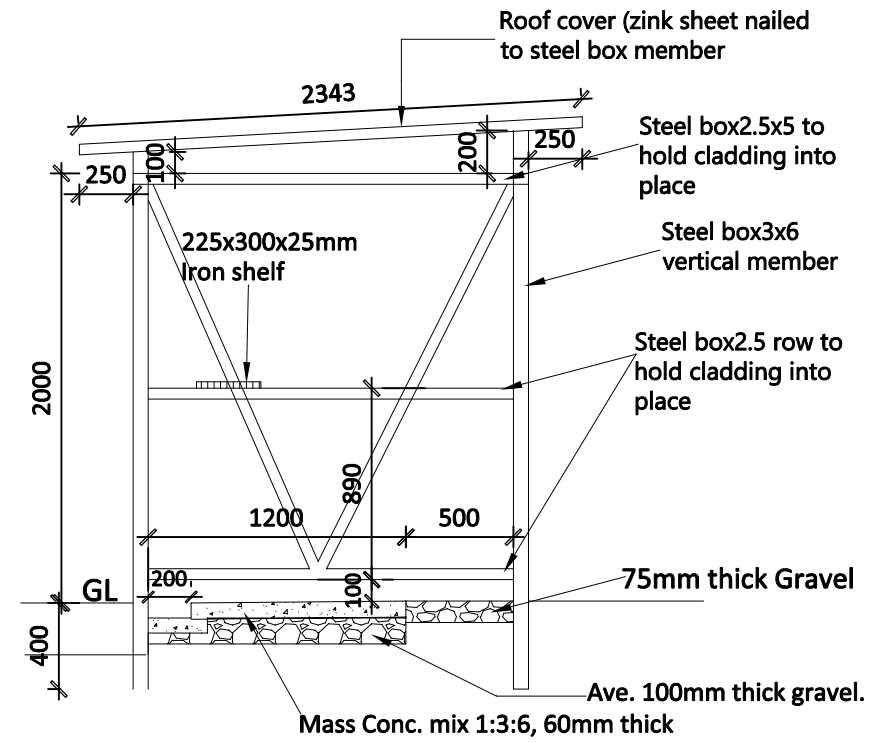


**Typical door shutter**



**Plan**

**Typical Sect A - D**



NOTES:

NOTES:

Revisions:

Project Title:
Proposed Sanitation Facilities in Tunaydbah Camp

Drawing Title:
Bathing Shelter Plan. Sect, Drainage, Door

Scale:	Drawn by:
Checked:	Date:
Drawing No:	